



TRAPEZE® 2 PENDANT

INSPIRED BY THE TENSION AND DYNAMICS OF THE CIRCUS ACT, GLOWING BOWLS HANG FROM A SIMPLE STEM, CREATING A SOFT ILLUMINATION AND GRAPHIC SILHOUETTE. AVAILABLE WITH EITHER BRASS OR HAND-CAST PORCELAIN BOWLS.

A P P A R A T U S

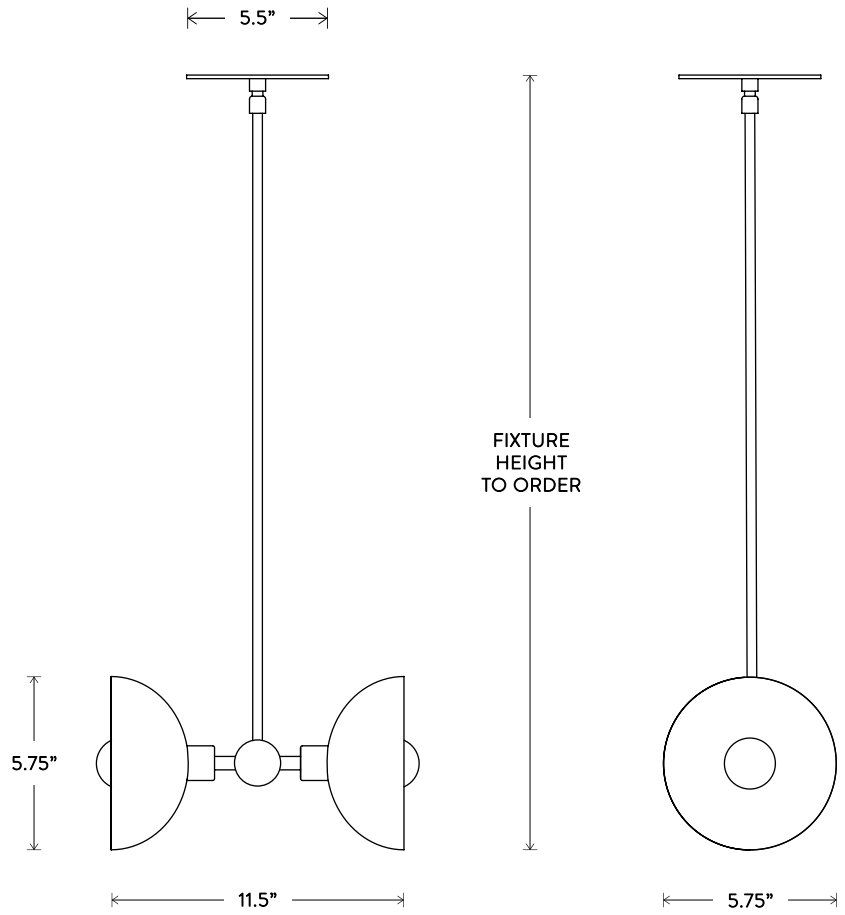
TRAPEZE[®] 2

PENDANT

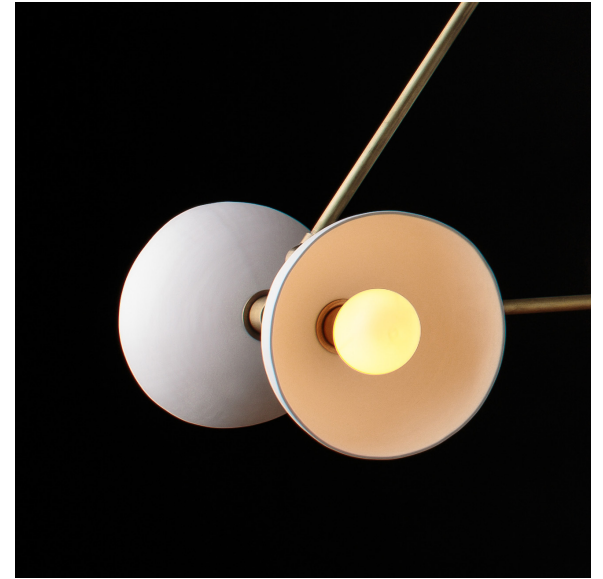
DIMENSIONS: 11.5" W, 5.75" D
HEIGHT TO ORDER
INCLUDES UP TO 60"
MINIMUM HEIGHT 12.75"
APPROXIMATE WEIGHT: 4 LBS

LAMPING: MAX 60W EACH
2 3W DIMMABLE LED BULBS INCLUDED
240 LUMENS EACH, 2500K COLOR TEMPERATURE
BULB LIFE: 30,000 HOURS
120V: E12 GLOBE SM: MATTE WHITE, Ø 1.75"
240V: E14 GLOBE SM: MATTE WHITE, Ø 1.75"

UL / CE APPROVED
VOLTAGE: 120-240



A P P A R A T U S



TRAPEZE® 4 PENDANT

INSPIRED BY THE TENSION AND DYNAMICS OF THE CIRCUS ACT, THIS PENDANT IS A TRIANGLE FIXED IN SPACE. UNINTERRUPTED LINES SUSPEND GLOWING CIRCLES FROM THE CEILING CREATING SOFT LIGHT AND GRAPHIC APPEAL. AVAILABLE WITH EITHER BRASS OR HAND-CAST PORCELAIN BOWLS.

A P P A R A T U S

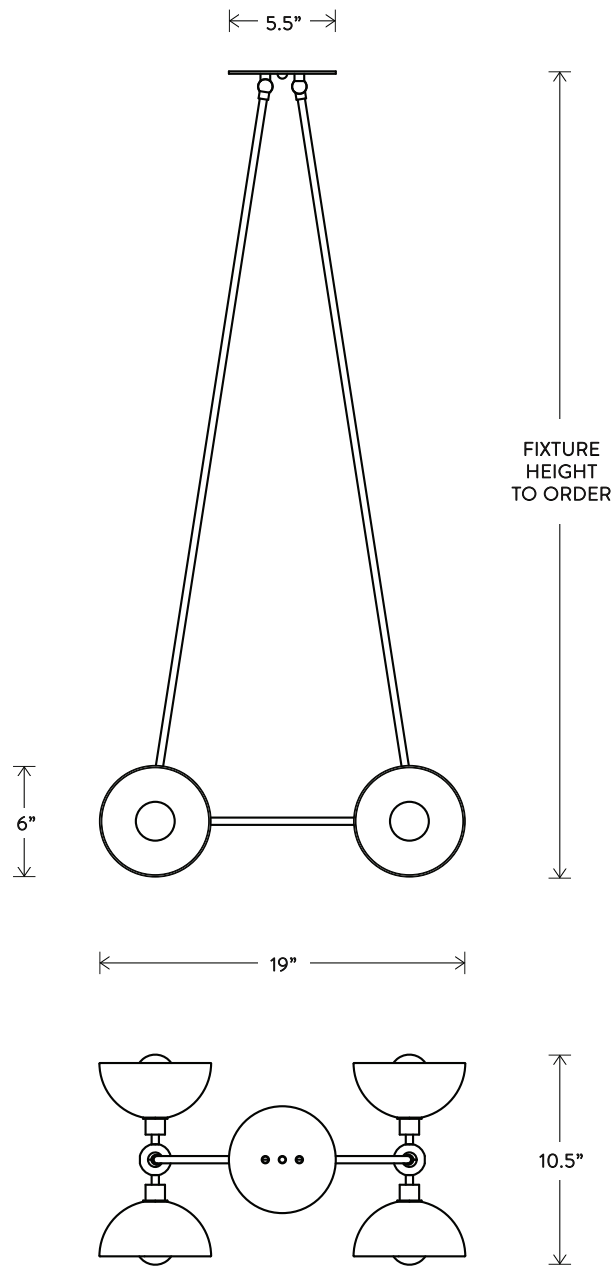
TRAPEZE[®] 4

PENDANT

DIMENSIONS: 19" W, 10.5" D
HEIGHT TO ORDER
INCLUDES UP TO 60"
MINIMUM HEIGHT 16"
APPROXIMATE WEIGHT: 5 LBS

LAMPING: MAX 60W EACH
4 3W DIMMABLE LED BULBS INCLUDED
240 LUMENS EACH, 2500K COLOR TEMPERATURE
BULB LIFE: 30,000 HOURS
120V: E12 GLOBE SM: MATTE WHITE, Ø 1.75"
240V: E14 GLOBE SM: MATTE WHITE, Ø 1.75"

UL / CE APPROVED
VOLTAGE: 120-240



A P P A R A T U S



TRAPEZE® 6 PENDANT

INSPIRED BY THE TENSION AND DYNAMICS OF THE CIRCUS ACT, THIS PENDANT IS A TRIANGLE FIXED IN SPACE. UNINTERRUPTED LINES SUSPEND GLOWING CIRCLES FROM THE CEILING CREATING SOFT LIGHT AND GRAPHIC APPEAL. AVAILABLE WITH EITHER BRASS OR HAND-CAST PORCELAIN BOWLS.

A P P A R A T U S

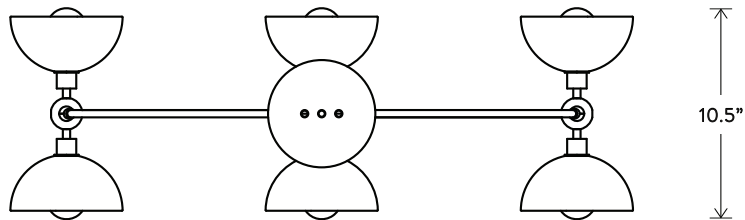
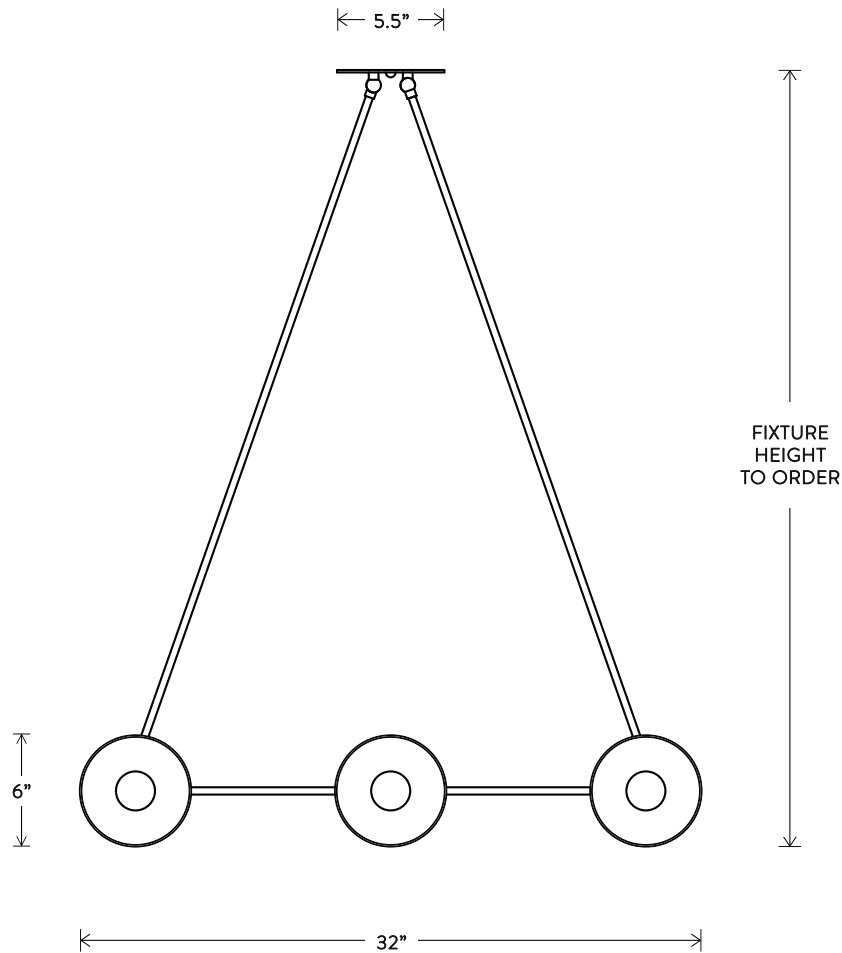
TRAPEZE[®] 6

PENDANT

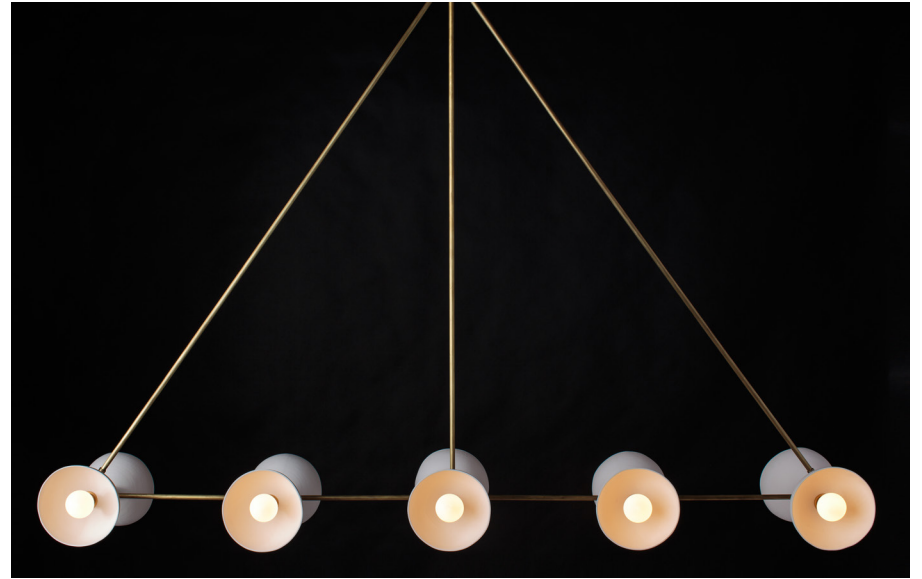
DIMENSIONS: 32" W, 10.5" D
HEIGHT TO ORDER
INCLUDES UP TO 60"
MINIMUM HEIGHT 16"
APPROXIMATE WEIGHT: 10 LBS

LAMPING: MAX 60W EACH
6 3W DIMMABLE LED BULBS INCLUDED
240 LUMENS EACH, 2500K COLOR TEMPERATURE
BULB LIFE: 30,000 HOURS
120V: E12 GLOBE SM: MATTE WHITE, Ø 1.75"
240V: E14 GLOBE SM: MATTE WHITE, Ø 1.75"

UL / CE APPROVED
VOLTAGE: 120-240



A P P A R A T U S



TRAPEZE® 10 PENDANT

INSPIRED BY THE TENSION AND DYNAMICS OF THE CIRCUS ACT, THIS PENDANT IS A TRIANGLE FIXED IN SPACE. UNINTERRUPTED LINES SUSPEND GLOWING CIRCLES FROM THE CEILING CREATING SOFT LIGHT AND GRAPHIC APPEAL. AVAILABLE WITH EITHER BRASS OR HAND-CAST PORCELAIN BOWLS.

A P P A R A T U S

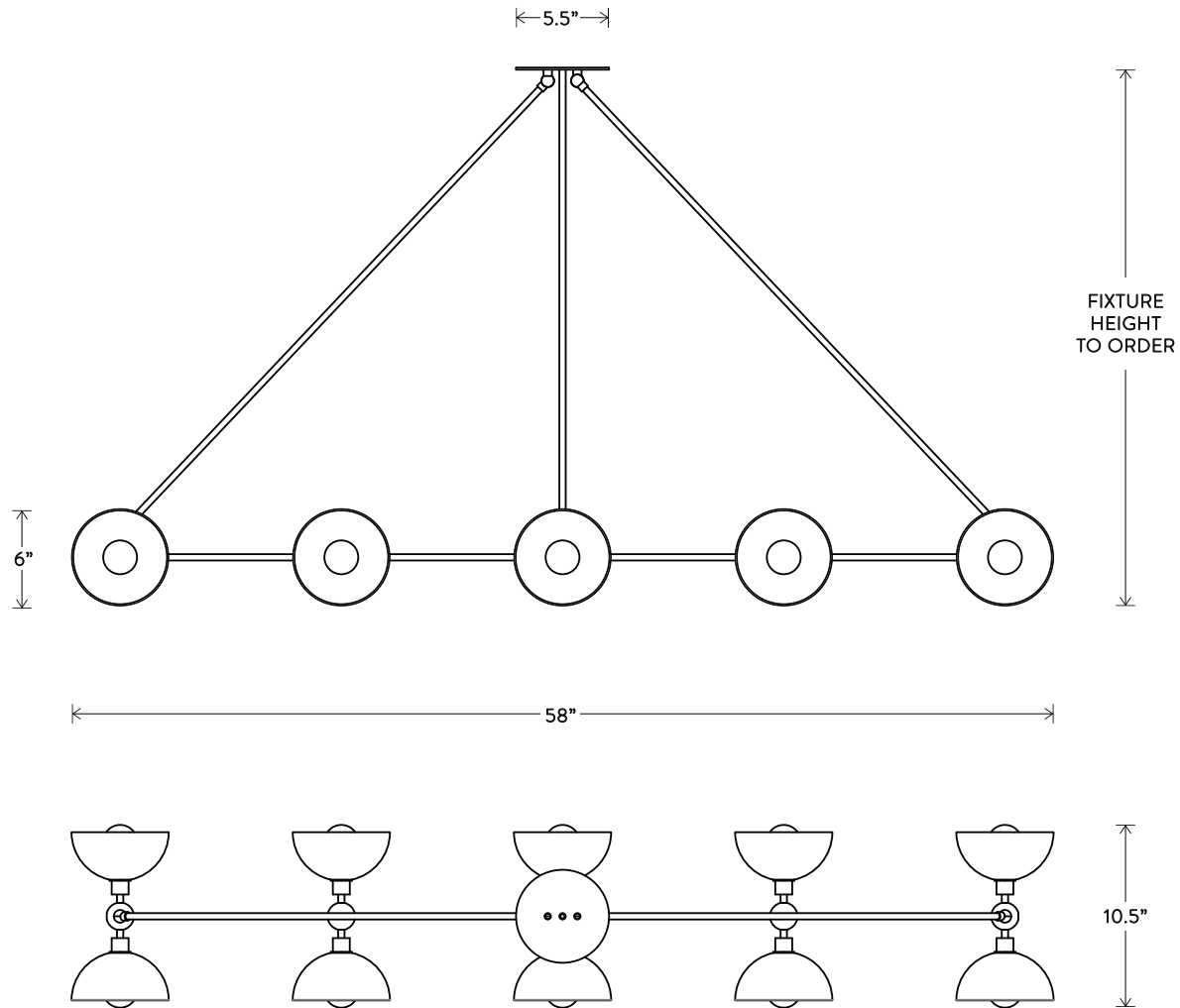
TRAPEZE[®] 10

PENDANT

DIMENSIONS: 58" W, 10.5" D
HEIGHT TO ORDER
INCLUDES UP TO 60"
MINIMUM HEIGHT 16"
APPROXIMATE WEIGHT: 15 LBS

LAMPING: MAX 60W EACH
10 3W DIMMABLE LED BULBS INCLUDED
240 LUMENS EACH, 2500K COLOR TEMPERATURE
BULB LIFE: 30,000 HOURS
120V: E12 GLOBE SM: MATTE WHITE, Ø 1.75"
240V: E14 GLOBE SM: MATTE WHITE, Ø 1.75"

UL / CE APPROVED
VOLTAGE: 120-240



A P P A R A T U S