

IRIS T-2714

suspension lamp

Date	Type
Project	
Location	
Model #	Quantity
Specifier	

Description

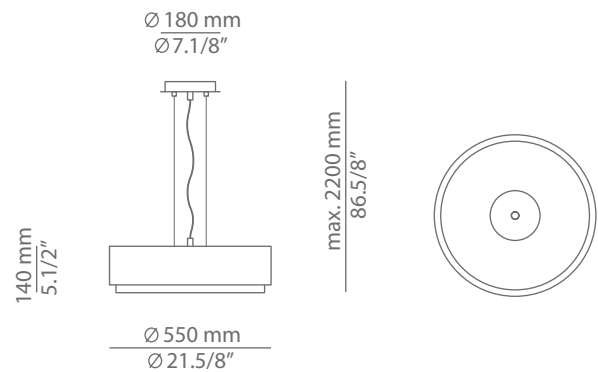
Pendant providing direct and indirect light.
 Shade is made of translucent polyester fiber protected by a PVC coating.
 Glass diffuser on top and bottom. Adjustable height.
 Can be used in sloped ceilings.



Pictures above might not show the specified dimensions or material. They are for illustration purposes only.

Ordering information

Product Code	Lamp	Finish body	Finish Shade
T-2714	LED or Fluor. up to 3x20W (bulb not included) E27 / 120V - 240V Dimmable when using dim. lamps	<ul style="list-style-type: none"> <input type="checkbox"/> 37 NI Nickel <input type="checkbox"/> CUSTOM 	<ul style="list-style-type: none"> <input type="checkbox"/> 26 BLK Black <input type="checkbox"/> 27 WH White <input type="checkbox"/> 38 GR Gray <input type="checkbox"/> CUSTOM



SPECIAL REQUIREMENTS

Custom finishes and versions

We offer custom plated or RAL finishes and shades.
 Alternate lamping and sizes available for projects. Consult our offices.

Special instructions



ESTILUZ, S.A.
 Carretera d'Ogassa, s/n
 17860 Sant Joan de les Abadesses
 T+34 972 720 125
 F+34 972 720 796

estiluz@estiluz.com
 www.estiluz.com