

MARC WOOD



A hand spun shade suspended between two white glass orbs creating an echoed glow of light via the illusion of mirrored reflections.

Echo - 4 Piece Cluster

Lamp & Shade

Dimensions cm

H 115cm x W 82cm x D 82cm

Dimensions inch

H 42.5in x W 32.2in x D 32.2in

Material

Glass + Brass

Weight

6 kg/ 13.2 lb

Finishes - metal

Brushed Brass, Brushed Nickel
Blackened Steel

Suspension

2m/79in. Cable - Black

Canopy

White Finish,
Dia 48cm/ 18.8in x 3cm/ 1.3in
Bespoke colours available.
Can be inset or surface mounted.

Driver

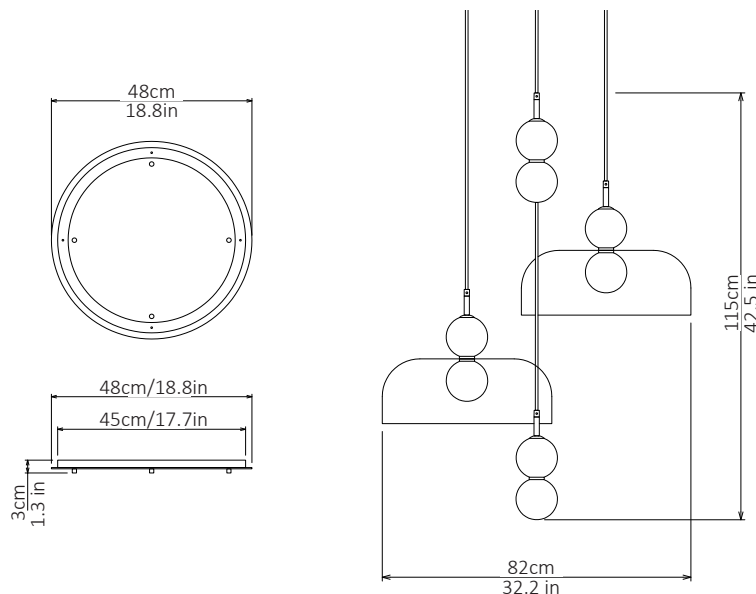
Dimmable driver included.

240V Illumination

Integrated LED
Lumens: 740lm x 4
Colour Temperature: 2700K
Dimmable: LED dimmer required

120V illumination

Integrated LED
Lumens: 740lm x 4
Colour Temperature: 2700K
Dimmable: LED dimmer required



MARC WOOD



A hand spun shade suspended between two white glass orbs creating an echoed glow of light via the illusion of mirrored reflections.

Echo - 6 Piece Cluster

Lamp & Shade

Dimensions cm

H 180cm x W 85cm x D 85cm

Dimensions inch

H 70.8in x W 33.4in x D 33.4in

Material

Glass + Brass

Weight

9 kg/ 19.8 lb

Finishes - metal

Brushed Brass, Brushed Nickel
Blackened Steel

Suspension

2m/79in. Cable - Black

Canopy

White Finish,
Dia 50cm/ 19.6in x 3cm/ 1.3in
Bespoke colours available.
Can be inset or surface mounted.

Driver

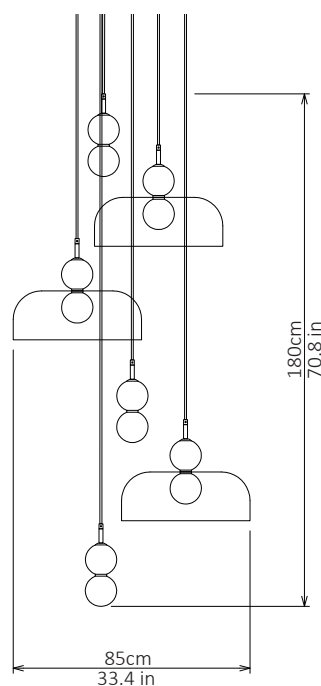
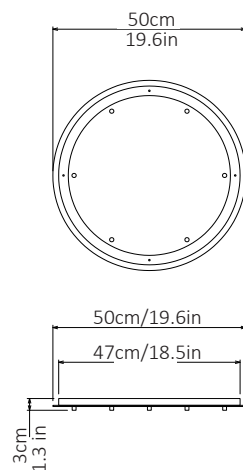
Dimmable driver included.

240V Illumination

Integrated LED
Lumens: 740lm x 6
Colour Temperature: 2700K
Dimmable: LED dimmer required

120V illumination

Integrated LED
Lumens: 740lm x 6
Colour Temperature: 2700K
Dimmable: LED dimmer required



MARC WOOD



A hand spun shade suspended between two white glass orbs creating an echoed glow of light via the illusion of mirrored reflections.

Echo - 6 Piece Cluster (Wide)

Lamp & Shade

Dimensions cm

H 85cm x W 140cm x D 140cm

Dimensions inch

H 33.4in x W 55.1in x D 55.1in

Material

Glass + Brass

Weight

9 kg/ 19.8 lb

Finishes - metal

Brushed Brass, Brushed Nickel
Blackened Steel

Suspension

2m/79in. Cable - Black

Canopy

White/ Brass finish plate with Cable
Placers as required,
Dia 38cm/ 19.6in x 3cm/ 1.3in
Bespoke colours available.
Can be inset or surface mounted.

Driver

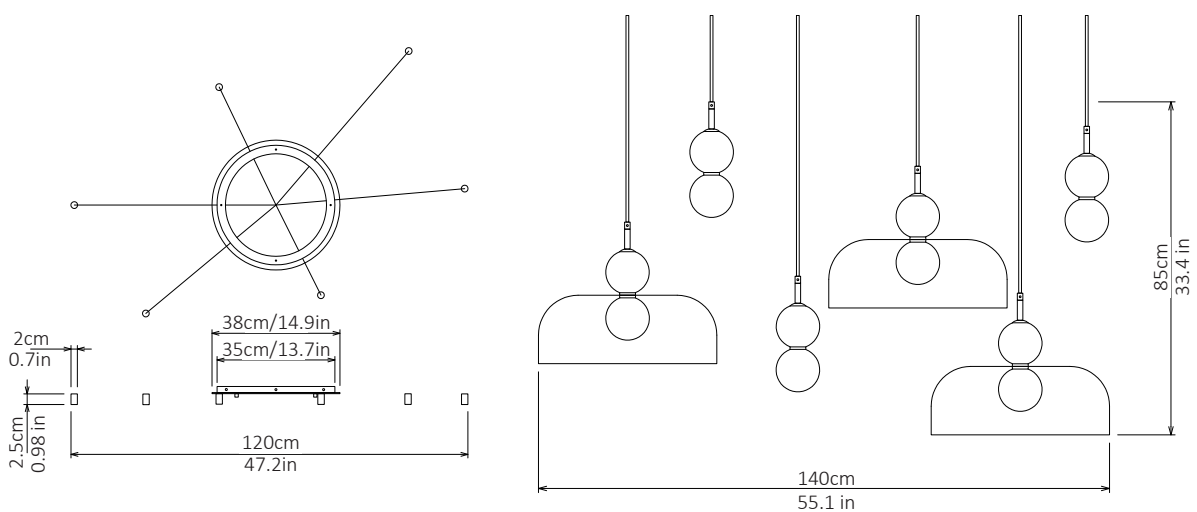
Dimmable driver included.

240V Illumination

Integrated LED
Lumens: 740lm x 6
Colour Temperature: 2700K
Dimmable: LED dimmer required

120V illumination

Integrated LED
Lumens: 740lm x 6
Colour Temperature: 2700K
Dimmable: LED dimmer required



MARC WOOD



A hand spun shade suspended between two white glass orbs creating an echoed glow of light via the illusion of mirrored reflections.

Echo - 8 Piece Cluster

Lamp & Shade

Dimensions cm

H 245cm x W 90cm x D 90cm

Dimensions inch

H 96.4in x W 35.4in x D 35.4in

Material

Glass + Brass

Weight

12 kg/ 26.4 lb

Finishes - metal

Brushed Brass, Brushed Nickel
Blackened Steel

Suspension

2m/79in. Cable - Black

Canopy

White Finish,
Dia 50cm/ 19.6in x 3cm/ 1.3in
Bespoke colours available.
Can be inset or surface mounted.

Driver

Dimmable driver included.

240V Illumination

Integrated LED
Lumens: 740lm x 8
Colour Temperature: 2700K
Dimmable: LED dimmer required

120V illumination

Integrated LED
Lumens: 740lm x 8
Colour Temperature: 2700K
Dimmable: LED dimmer required

